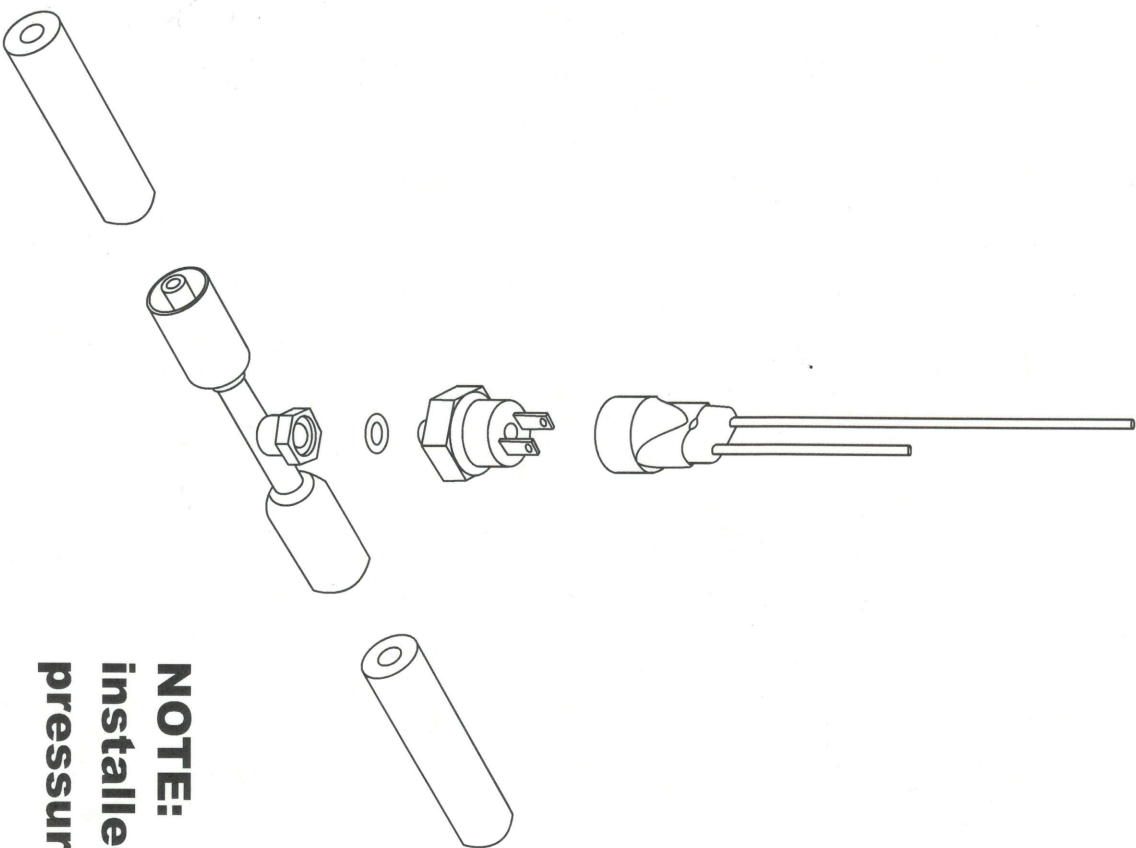


BINARY SWITCH KIT with #6 In-Line Fitting

Binary switch combines
low and high into one
function



Enjoy Your Drive Tour With TBI
www.tbiproducts.com



**NOTE: Fittings must be
installed into high
pressure line**

BINARY SWITCH KIT with #6 Male/Female Fitting

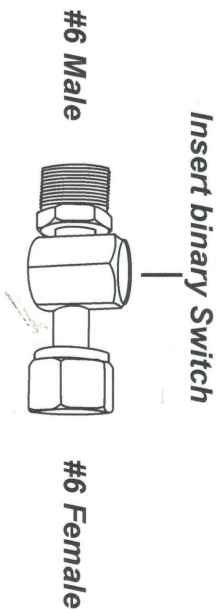
Binary switch combines
low and high into one
function

Insert the binary switch into the harness boot.
One wire goes to the A/C compressor clutch,
the other goes to the A/C thermostat switch.

Remove caps from the binary switch and switch port.
Be sure that the o'ring on the binary switch stays in place.
The binary switch can then be screwed into the top of the
switch port.

Now the switch port can be placed in line, on the
high pressure side of the system at any of the locations
listed below.

- Expansion valve
- Condenser
- Drier



#6 Male

#6 Female