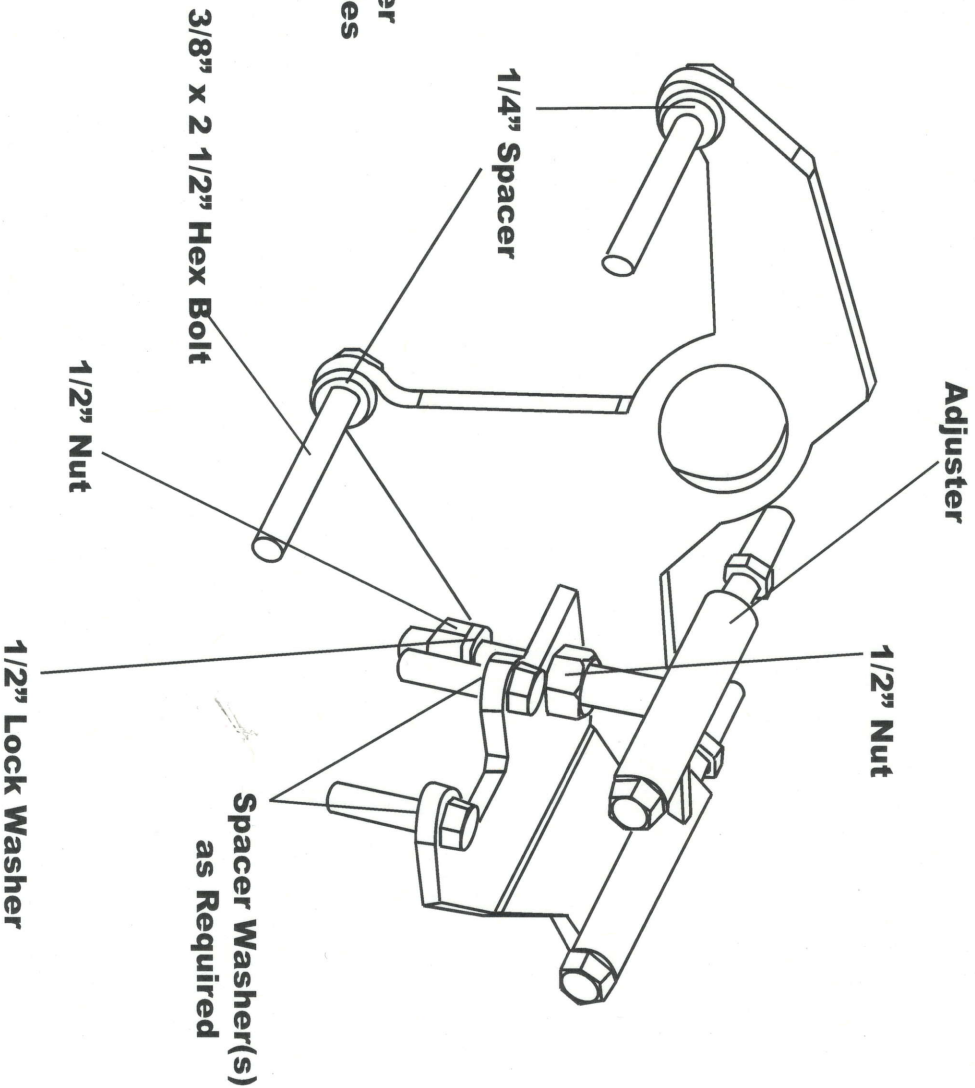
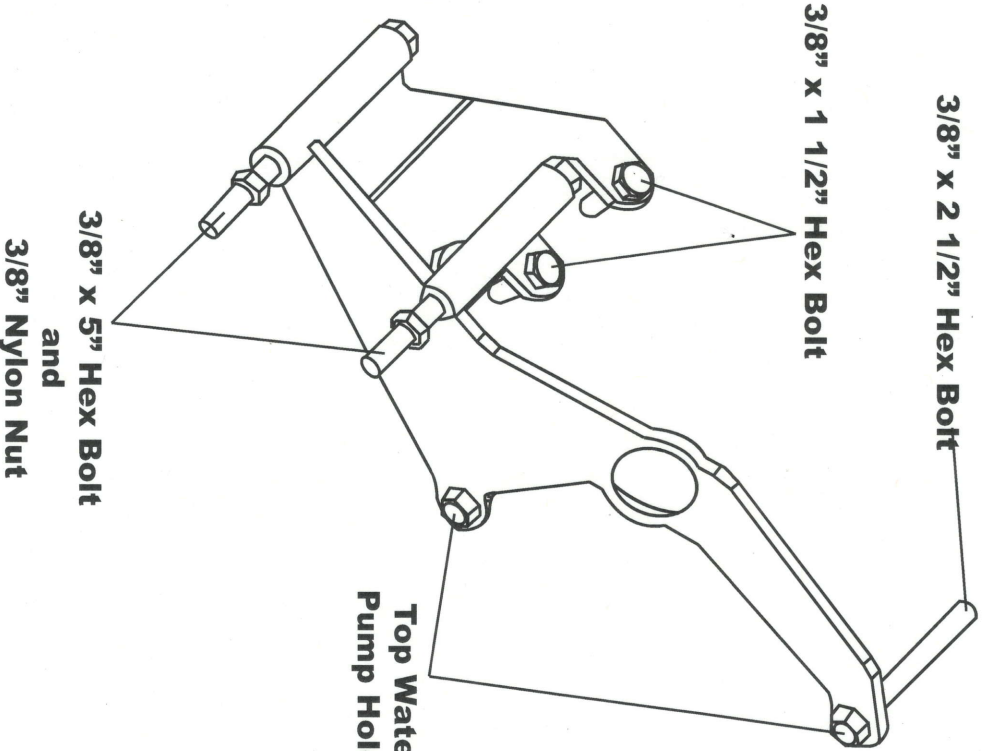


COMPRESSOR MOUNT

Small Block Chevy
Long Water Pump
Passenger Side



Installation

Install bolts into water pump first. Next determine the number of spacer washers required between the bracket and intake manifold. This will vary with the thickness of various brands of manifolds. **START ALL MOUNTING BOLTS BEFORE TIGHTENING.**

Typical belt length of 54" to 55" is used with this mount. However: this can vary with the diameter of your pulleys.